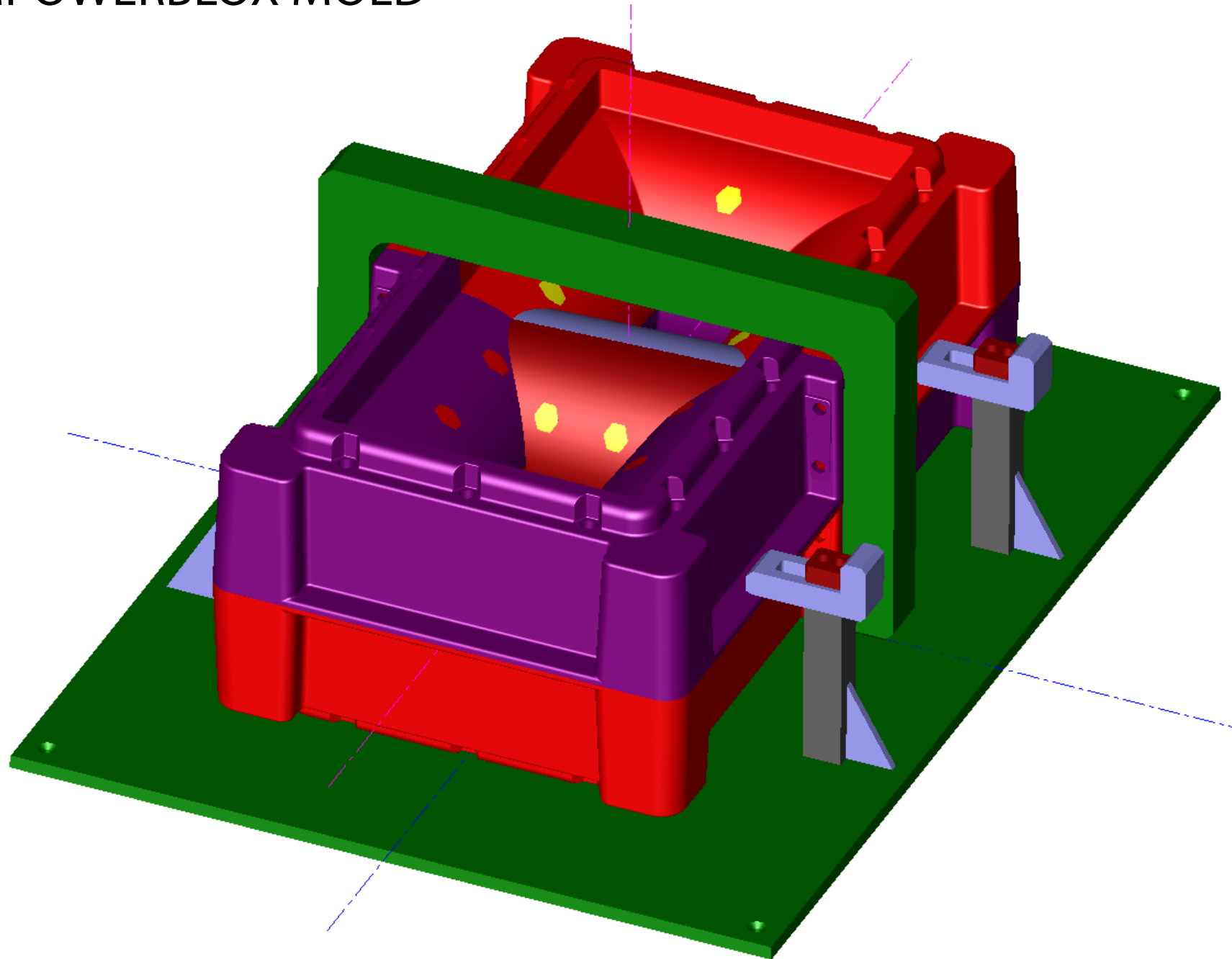
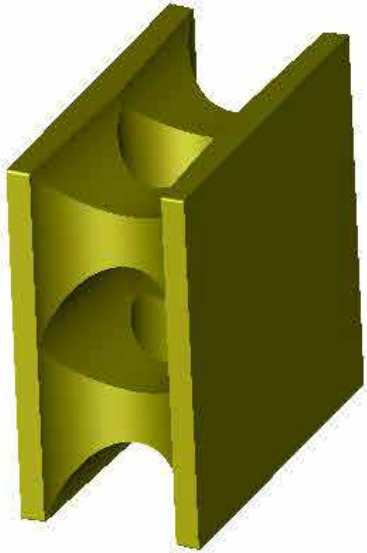


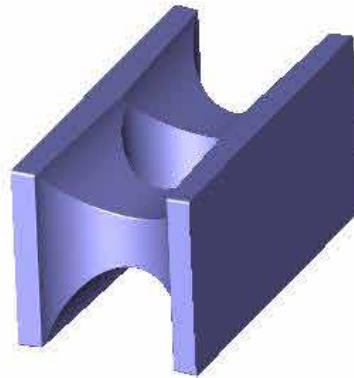
EMPOWERBLOX MOLD





500x500x250
Concrete mix volume 29.6 litre

500x250x250
Concrete mix volume 14.8 litre



250x250x250
Concrete mix volume 7.40 litre

